



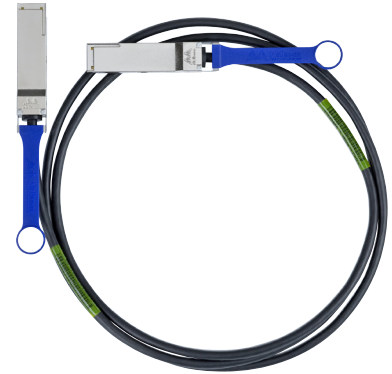
CABLES

# 40Gb/s Passive Copper Cables Datasheet

## Overview

Mellanox’s 40Gbps passive copper cables provide robust connections and require no power from the connector. The 40Gbps passive copper cables are compliant with the InfiniBand Architecture, SFF-8436 specifications and provide connectivity between devices using QSFP ports. 40Gbps passive copper cables fill the need for short, cost-effective connectivity in the data center. Mellanox’s high-quality passive copper cable solutions provide a power-efficient replacement for active power connectivity such as fiber optic cables.

Optimizing systems to operate with Mellanox’s 40Gbps passive copper cables significantly reduces power consumption and EMI emission, eliminating the use of EDC hosts.



**Table 1 -Cable Specifications and Ordering Information**

Maximum Reach [m]	Gauge	Max Cable Diameter [mm]	Min Bend Radius [mm]	Assembly Min Ben Radius [mm] <sup>1</sup>	Weight [Grams/meter] <sup>1</sup>	Part Number
0.5	30	6.2	30	61	55	MC2206130-00A
1	30	6.2	30	61	55	MC2206130-001
2	30	6.2	30	61	55	MC2206130-002
3	30	6.2	30	61	55	MC2206130-003
4	28	7.8	40	71	79	MC2206128-004
5	28	7.8	40	71	79	MC2206128-005
6	26	9.8	50	82	96	MC2206126-006
7	25	9.8	50	95	108	MC2206125-007
8	25	9.8	50	95	108	MC2206125-008

1. See figure 1 for bend radius description

2. Weight is per raw cable meter, excluding connectors

## KEY FEATURES

- Compliant with SFF-8436
- Up to 8m 40Gb/s data rates
- Ultra low crosstalk for improved performance
- Low insertion loss
- BER better than 10<sup>-15</sup>
- Serial numbers printed on each end
- Tested in an end-to-end system
- RoHS 6 Compliant

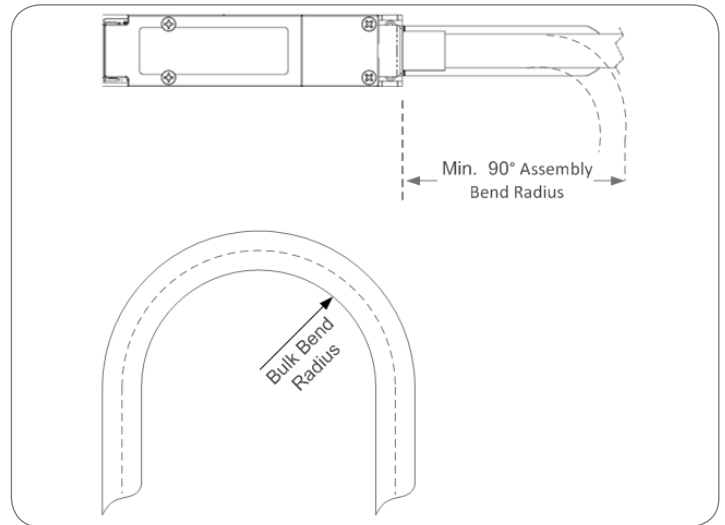
**Table 2 - Absolute Maximum Ratings**

Parameter	Parameter Range
Operating Case Temperature	0°C to 70°C
Storage Ambient Temperature	-10°C to 75°C

**Table 3 - Operating Conditions**

Parameter	Minimum	Typical	Maximum	Units
Data Rate per Lane	1		10.5	Gb/s
Input Voltage	-0.3		3.6	V
Humidity (RH)	5		85	%

**Figure 1: Mechanical Drawings and Information**



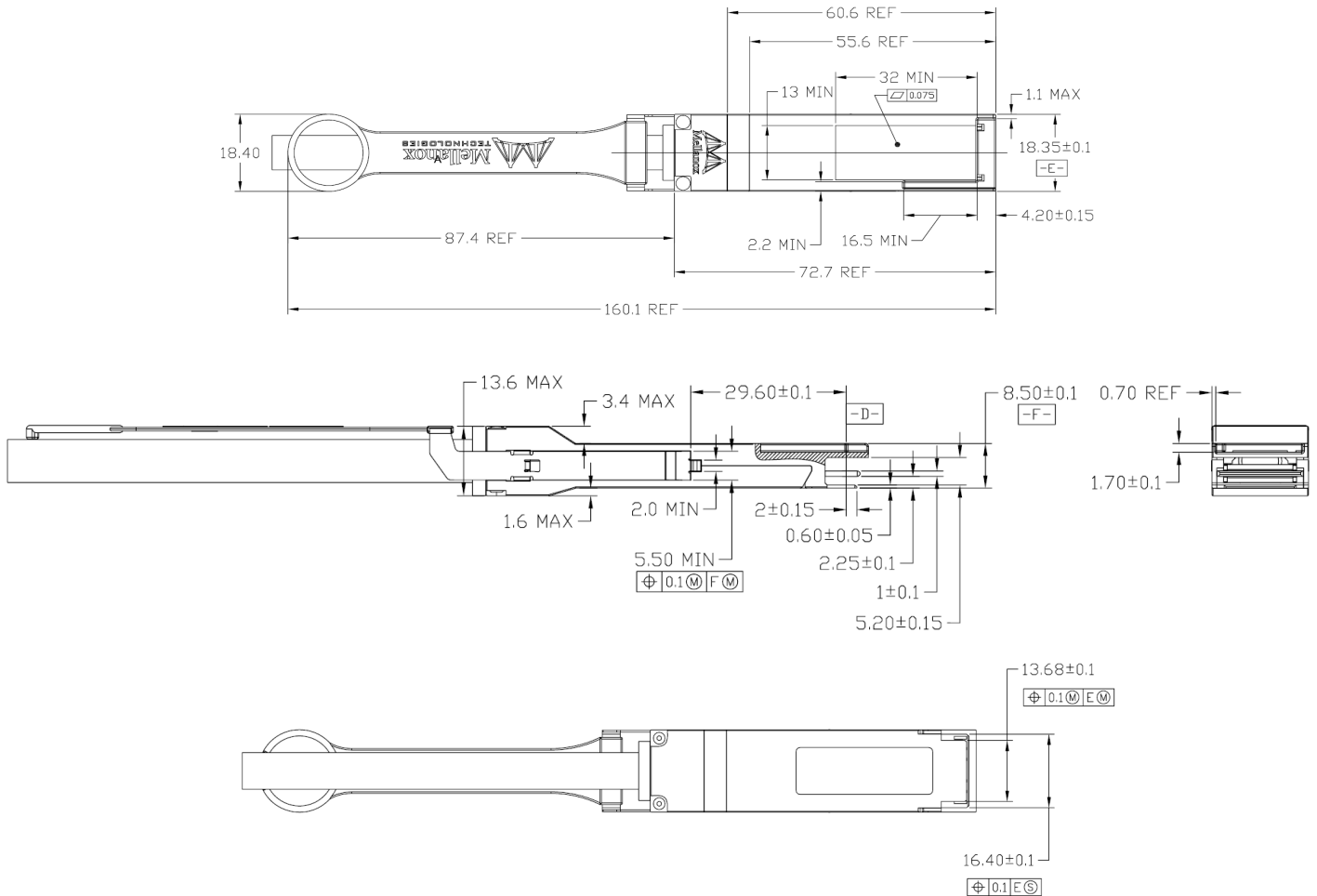
**Warranty Information**

The Mellanox Passive Copper 40G QSFP cables include a 1-year limited hardware warranty, which covers repair or replacement.

**Additional Information**

For more information about Mellanox QSFP cable solutions, please contact your Mellanox Technologies sales representative or visit: <http://www.mellanox.com=>Products=>Cables=>Cables Overview>

**Figure 2: Mechanical Drawings and Information**



350 Oakmead Parkway, Sunnyvale, CA 94085  
 Tel: 408-970-3400 • Fax: 408-970-3403  
[www.mellanox.com](http://www.mellanox.com)

© Copyright 2011, Mellanox Technologies. All rights reserved.  
 Mellanox, BridgeX, ConnectX, InfiniBlast, InfiniBridge, InfiniHost, InfiniRISC, InfiniScale, InfiniPCI, PhyX, and Virtual Protocol Interconnect are registered trademarks of Mellanox Technologies, Ltd. CORE-Direct and FabricT are trademarks of Mellanox Technologies, Ltd. All other trademarks are property of their respective owners.