

FDR, 56Gb/s, Passive Copper Cables

Mellanox's FDR passive copper cables provide robust connections for leading edge 56Gbps systems. Passive copper cables require no additional power to ensure quality connectivity. The 56Gbps passive copper cables are compliant with SFF-8436, QSFP+, specifications and provide connectivity between devices using QSFP ports. 56Gbps passive copper cables fill the need for short, cost-effective connectivity in the data center. Mellanox's high-quality passive copper cable solutions provide a power-efficient replacement for active power connectivity such as fiber optic cables.

Optimizing systems to operate with Mellanox's 56Gbps passive copper cables significantly reduces power consumption and EMI emission, eliminating the use of EDC hosts.

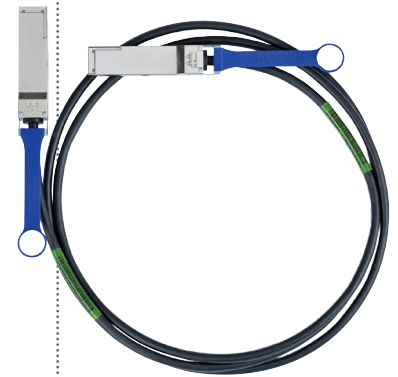


Table 1 - Cable Specifications and Ordering Information

Maximum Reach [m]	Gauge	Max Cable Diameter [mm]	Min Bend Radius [mm]	Assembly Min Bend Radius [mm] ¹	Weight [Grams/meter] ²	Part Number
1	30	6.2	30	61	55	MC2207130-001
2	30	6.2	30	61	55	MC2207130-002
3	28	7.8	40	71	79	MC2207128-003
4	26	9.8	50	82	96	MC2207126-004
5	26	9.8	50	82	96	MC2207126-005

1. See figure 1 for bend radius description

2. Weight is per raw cable meter, excluding connectors

Table 2 - Absolute Maximum Ratings

Parameter	Parameter Range
Operating Case Temperature	0°C to 70°C
Storage Ambient Temperature	-10°C to 75°C

Table 3 - Operating Conditions

Parameter	Minimum	Typical	Maximum	Units
Data Rate per Lane	1		14	Gb/s
Input Voltage	-0.3		3.6	V
Humidity (RH)	5		85	%

HIGHLIGHTS

- Compliant with SFF-8436
- Compliant with IEEE 802.3ba
- Up to 5m 56Gb/s data rates
- Ultra low crosstalk for improved performance
- Low insertion loss
- BER better than 10⁻¹⁵
- Serial numbers printed on each end
- Tested in an end-to-end system
- RoHS 6 Compliant

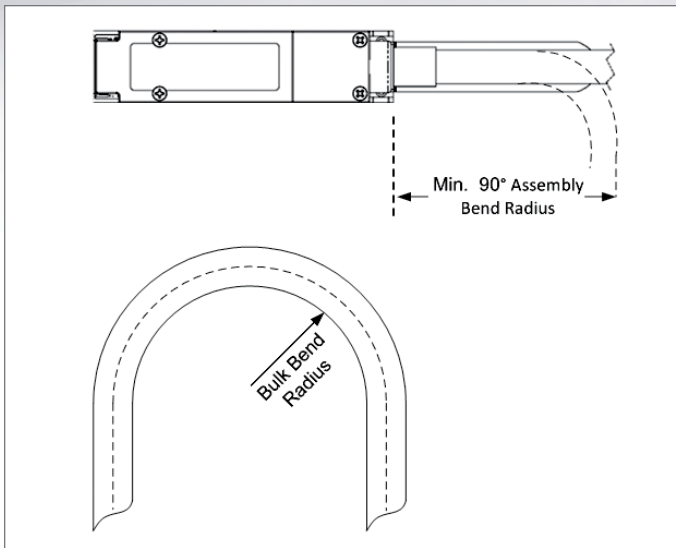


Figure 1. Mechanical Drawings and Information

Warranty Information

The Mellanox Passive Copper 56G QSFP cables include a 1-year limited hardware warranty, which covers repair or replacement.

Additional Information

For more information about Mellanox QSFP cable solutions, please contact your Mellanox Technologies sales representative or visit: <http://www.mellanox.com=>Products=>Cables=>Cables Overview>

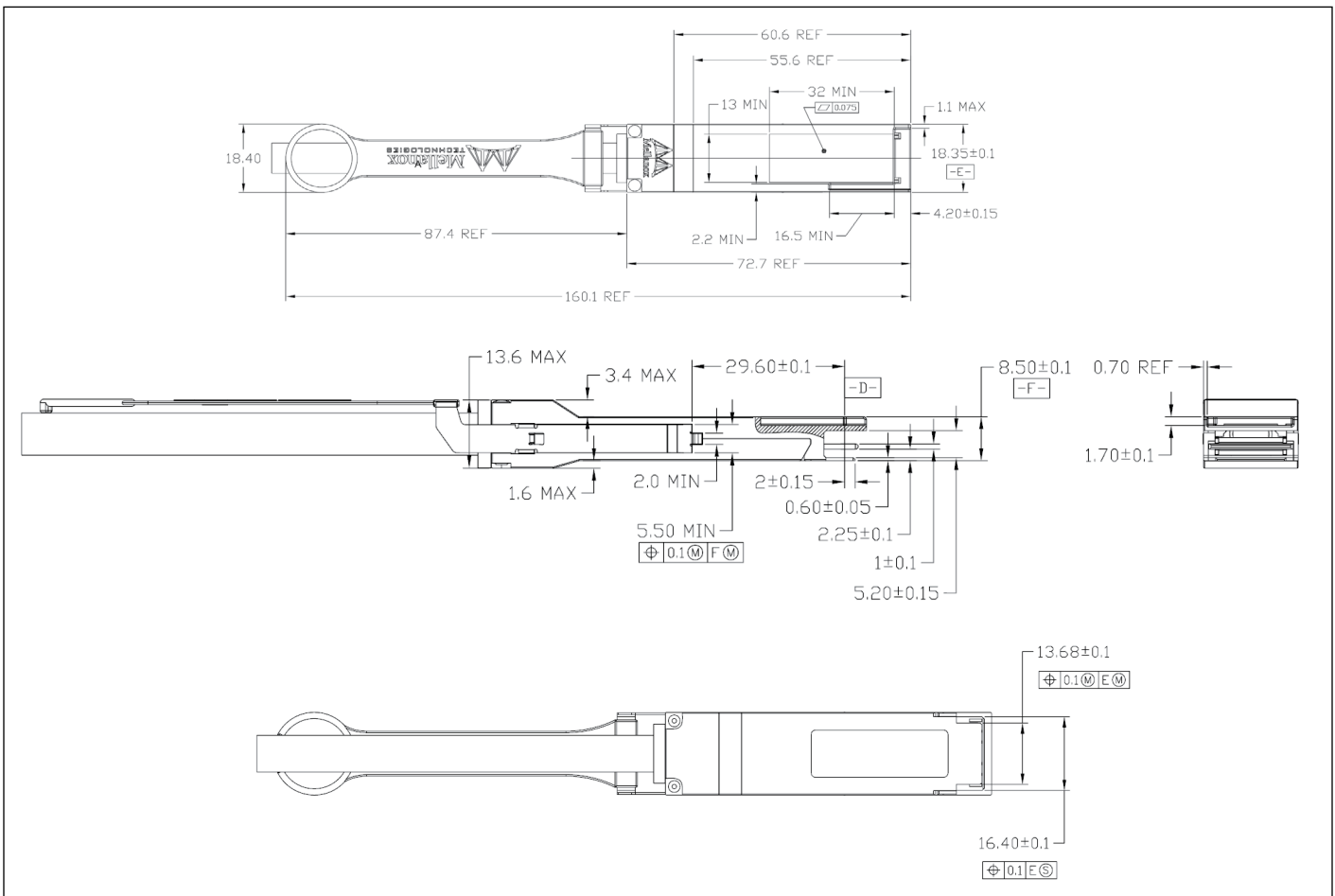


Figure 2. Mechanical Drawings and Information



350 Oakmead Parkway, Suite 100, Sunnyvale, CA 94085
 Tel: 408-970-3400 • Fax: 408-970-3403
www.mellanox.com