

## Installing the Switch in the Rack

There are three possible installation kits for the MIS5022 switch. Make sure that you have the installation kit that you ordered.

**Table 1 - Installation Kit Options**

OPN	Description	For Rack Depths
MIS000811	Centered single switch installation kit	400mm – 800mm
MIS000830	Side by side installation kit with long rail slides	650mm – 800mm
MIS000831	Side by side installation kit with short rail slides	400mm – 650mm

## Package Contents

The package includes:

- 1 switch
- 1 box containing 1 power cord Type B 6ft US 125V 10A chord
- 1 installation guide

Before you install your new switch, unpack the system and check to make sure that all the parts have been sent. Check the parts for visible damages that may have occurred during shipping.



If anything is damaged or missing, contact your customer representative immediately.



The rack mounting holes conform to the IEA-310 standard for 19-inch racks. Guarantee proper ventilation, by leaving 8cm (3”) of space to the front and rear of the switch. This will ensure proper air flow through the chassis. This is crucial for maintaining good air-flow at ambient temperature. In particular, route cables such that they do not impede the air into or out of the chassis.

## Tools and Parts

Tools required and customer supplied parts

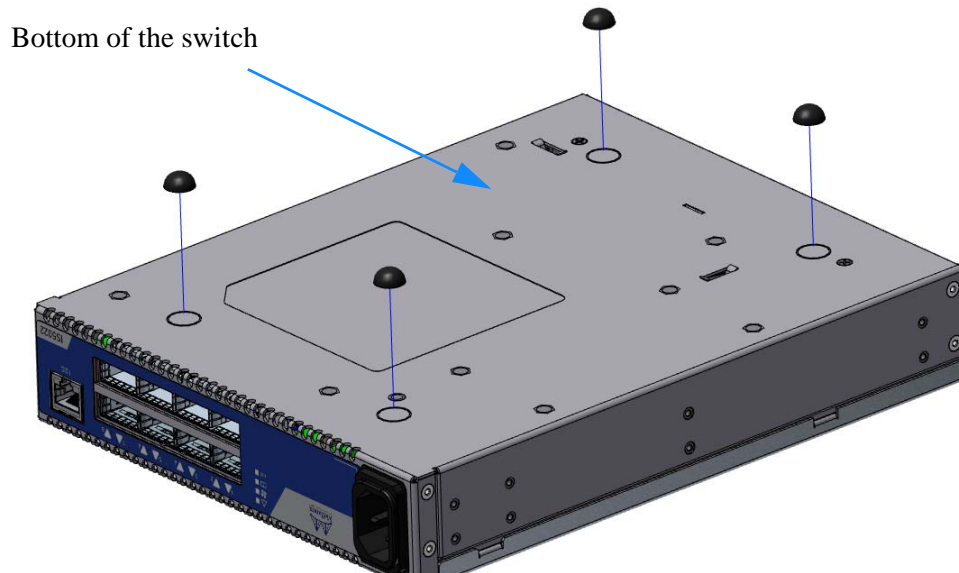
- Phillips Screwdrivers #1 and #2
- Grounding screw

- ESD Strap
- ESD mat
- Grounding wire sufficient to reach a valid ground

## Table Top Installation

1. Peel and stick the four rubber bumpers onto the bottom of the switch. Place them in the round circles.

**Figure 1: Placing the Bumpers**



2. Place on a flat surface. Make sure the switch sits solid on the surface.



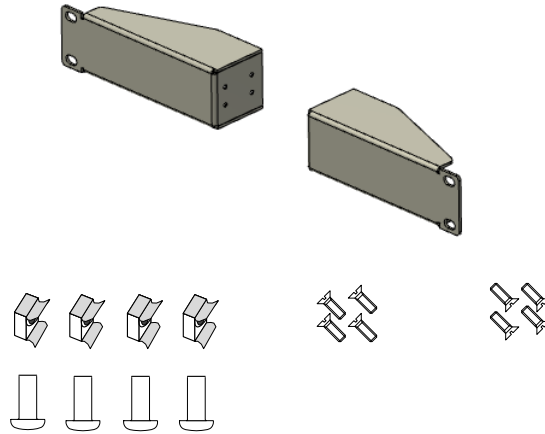
Some national and/or local codes may require IT components to be bonded and externally grounded (not including the power cord ground). You must follow all national and local codes when installing this equipment.

3. Connect the power cord.
4. Connect the data transfer cables.

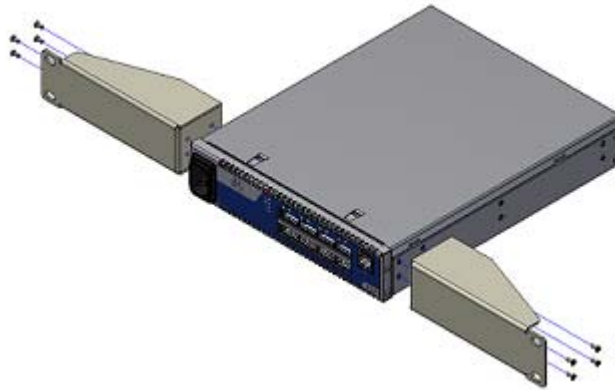
## Single Switch Center-of-Rack Installation

5. Installation kit parts for a single centered installation:
  - 2 front mounting brackets
  - 4 M6 bolts
  - 8 flat head screws
  - 4 caged nuts for the rack vertical supports

## Installation Kit for a Single Centered Installation



**Figure 2: Connect the Mounting Brackets**



The following procedure can be done by one person.

1. Place the ESD mat on the floor where you will be working and put on the ESD strap. Make sure the ESD strap is touching your skin and that the other end is connected to a verified ground.
2. Screw the two front brackets to the front side of the switch using 4 flat head screws for each bracket.
3. Place four caged nuts into the rack at the U level you want to install the switch.
4. While supporting the switch catch and tighten the four bolts into the caged nuts.
5. Ground the switch. For more information see Section ,“Grounding the switch,” on page 6.
6. Plug in the power cord.
7. You can start connecting all of the cables to the switch.

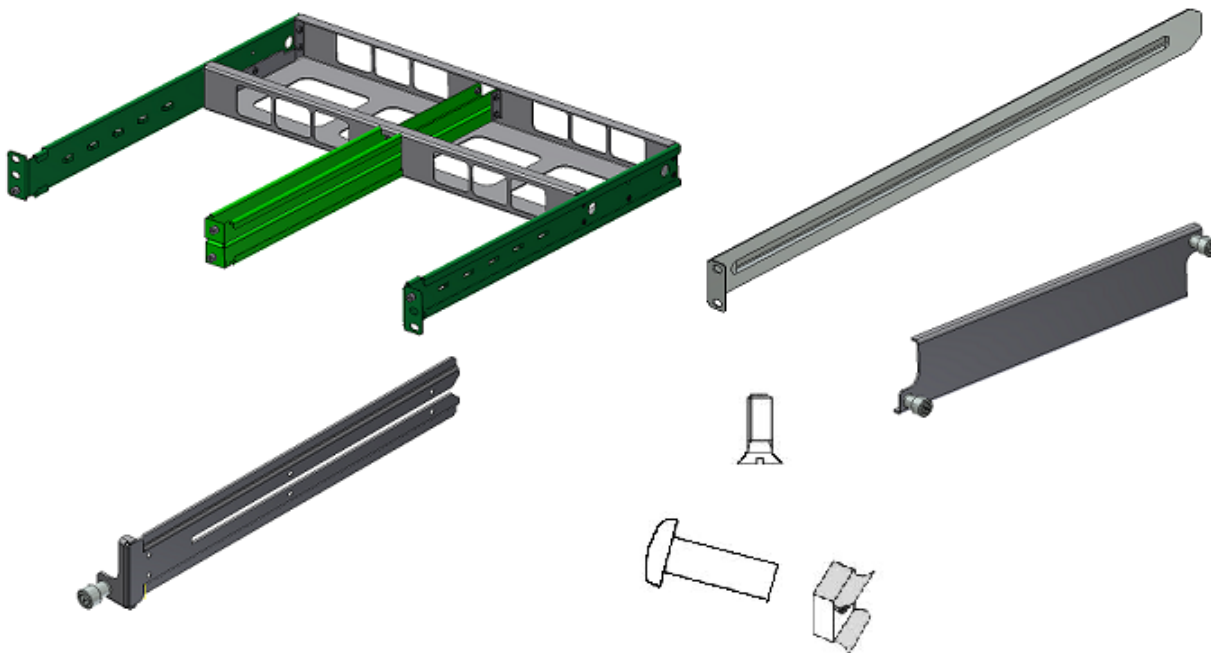
## Side by Side Installation

Installation kit parts for a side by side installation:

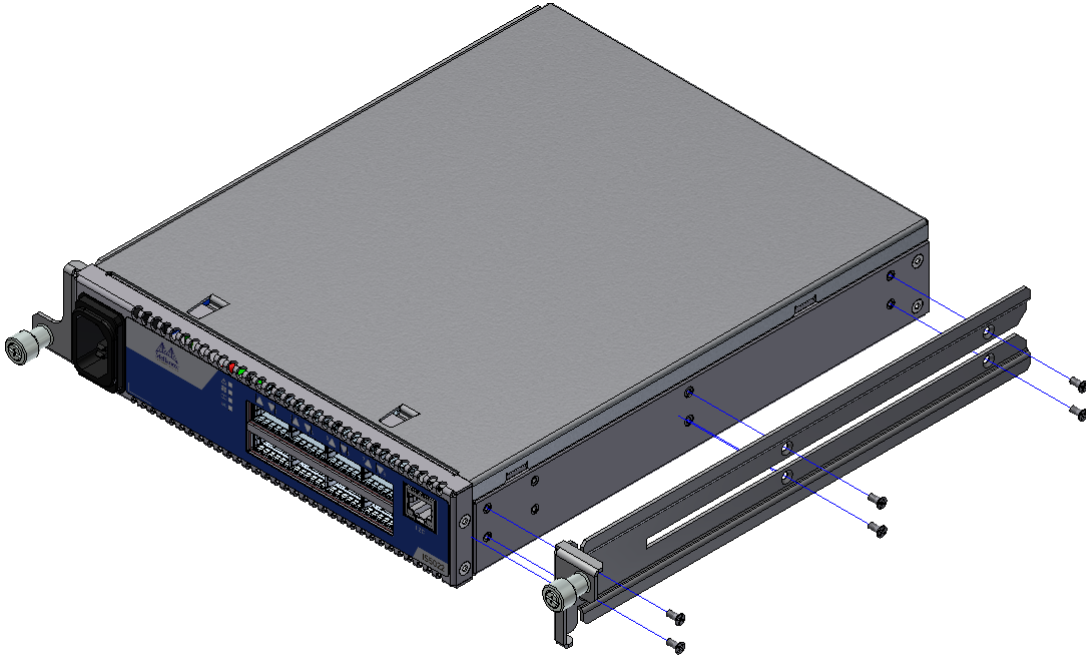
- 1 Two switch metal frame
- 4 switch mounted rails
- 24 flat head screws
- 2 Rail Slides
- 8 pairs of caged nuts and bolts
- 1 blank cover

The Installation kits come with enough switch mounted rails and flat head screws to install two switches.

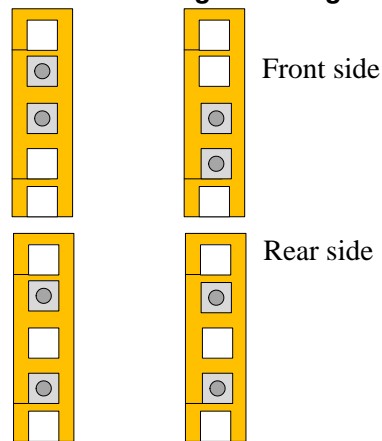
**Figure 3: Installation Kit Parts for a Side by Side Installation**



1. Place the ESD mat on the floor where you will be working and put on the ESD strap. Make sure the ESD strap is touching your skin and that the other end is connected to a verified ground.
2. Screw the two switch mounted rails to the switch using six flat head screws per rail.

**Figure 4: Screw on the Switch Mounted Rails**

- Place eight caged nuts into the rack at the level you want to mount the switch. Four go on the front side and four go on the rear side.

**Figure 5: Caged Nut Placement**

- Install the *two switch frame* into the rack. This frame goes on the front side of the rack.
- Slide the rail slides into the frame and screw the bolts into the rack caged nuts on the rear side of the rack.
- Tighten all eight bolts to 9.2 Nm or 81.5 pound inches.
- Slide the switch into the frame, and screw in the capture bolts into the frame.
- Install the blank into the frame opposite the switch, or install a second switch.
- Ground the switch. For more information see Section, “Grounding the switch,” on page 6.
- Plug in the power cord.
- You can start connecting all of the cables to the switch.

## Grounding the switch

Check to determine if your local or national electrical codes require an external ground to all IT components. If so, connect a ground wire to one of the casing screws and connect the other end to a valid ground. If you choose to not use the ground screw, make sure that the rack is properly grounded and that there is a valid ground connection between the chassis of the switch and the rack. Test the ground using an Ohm meter.



Some national and/or local codes may require IT components to be bonded and externally grounded (not including the power cord ground). You must follow all national and local codes when installing this equipment.