



InfiniScale® IV 18-Port QSFP 40Gb/s InfiniBand Switch User Manual

P/N: MIS5023Q-1BFR, MIS5023Q-1BRR

Rev 1.1

NOTE:

THIS HARDWARE, SOFTWARE OR TEST SUITE PRODUCT (“PRODUCT(S)”) AND ITS RELATED DOCUMENTATION ARE PROVIDED BY MELLANOX TECHNOLOGIES “AS-IS” WITH ALL FAULTS OF ANY KIND AND SOLELY FOR THE PURPOSE OF AIDING THE CUSTOMER IN TESTING APPLICATIONS THAT USE THE PRODUCTS IN DESIGNATED SOLUTIONS. THE CUSTOMER’S MANUFACTURING TEST ENVIRONMENT HAS NOT MET THE STANDARDS SET BY MELLANOX TECHNOLOGIES TO FULLY QUALIFY THE PRODUCT(S) AND/OR THE SYSTEM USING IT. THEREFORE, MELLANOX TECHNOLOGIES CANNOT AND DOES NOT GUARANTEE OR WARRANT THAT THE PRODUCTS WILL OPERATE WITH THE HIGHEST QUALITY. ANY EXPRESS OR IMPLIED WARRANTIES, INCLUDING, BUT NOT LIMITED TO, THE IMPLIED WARRANTIES OF MERCHANTABILITY, FITNESS FOR A PARTICULAR PURPOSE AND NONINFRINGEMENT ARE DISCLAIMED. IN NO EVENT SHALL MELLANOX BE LIABLE TO CUSTOMER OR ANY THIRD PARTIES FOR ANY DIRECT, INDIRECT, SPECIAL, EXEMPLARY, OR CONSEQUENTIAL DAMAGES OF ANY KIND (INCLUDING, BUT NOT LIMITED TO, PAYMENT FOR PROCUREMENT OF SUBSTITUTE GOODS OR SERVICES; LOSS OF USE, DATA, OR PROFITS; OR BUSINESS INTERRUPTION) HOWEVER CAUSED AND ON ANY THEORY OF LIABILITY, WHETHER IN CONTRACT, STRICT LIABILITY, OR TORT (INCLUDING NEGLIGENCE OR OTHERWISE) ARISING IN ANY WAY FROM THE USE OF THE PRODUCT(S) AND RELATED DOCUMENTATION EVEN IF ADVISED OF THE POSSIBILITY OF SUCH DAMAGE.



Mellanox Technologies
350 Oakmead Parkway Suite 100
Sunnyvale, CA 94085
U.S.A.
www.mellanox.com
Tel: (408) 970-3400
Fax: (408) 970-3403

Mellanox Technologies, Ltd.
PO Box 586 Hermon Building
Yokneam 20692
Israel
Tel: +972-4-909-7200
Fax: +972-4-959-3245

© Copyright 2011. Mellanox Technologies. All rights reserved.

Mellanox, BridgeX, ConnectX, Virtual Protocol Interconnect, InfiniBlast, InfiniBridge, InfiniHost, InfiniRISC, InfiniScale, and InfiniPCI are registered trademarks of Mellanox Technologies, Ltd. CORE-Direct, FabricIT, and PhyX are trademarks of Mellanox Technologies, Ltd. All other trademarks are property of their respective owners.
All other marks and names mentioned herein may be trademarks of their respective companies.

QDR InfiniBand Switch Platform User Manual

Contents

Contents	3
List of Figures	5
List of Tables	6
Revision History	7
About this Manual	8
Intended Audience	8
Related Documentation	8
Conventions	8
Mellanox Part Numbering Legend	9
Chapter 1 Overview	10
1.1 Serial Number and Product Version Information	10
Chapter 2 Installation Safety Warnings	11
Chapter 3 Externally Managed Switches	14
Chapter 4 Hardware Basic Operation and Installation	15
4.1 Switch Platform Hardware Overview	15
4.1.1 LED Assignments	15
4.2 AirFlow	18
4.3 QSFP Cable Power Budget Classification	18
4.4 Interfaces	19
4.4.1 Port Connector Interfaces	19
4.5 Management and Firmware Updating Interfaces	19
4.5.1 RJ-45 Connector (I2C)	19
Chapter 5 Installation	21
5.1 Package Contents	21
5.2 Installing the Switch in the Rack	21
5.2.1 Grounding the Switch	23
5.2.2 Power Connections and Initial Power On	24
5.2.3 InfiniBand Cable Installation	24
5.3 Disassembly of the Switch from the Rack	24
5.3.1 Disassembly Procedure — Single Switch Centered Installation	24
5.4 Disposal	25
5.5 Updating Firmware	25
5.5.1 Current Firmware Revision	25
5.5.2 How to Get Mellanox Firmware Tools (MFT)	28
5.5.3 Open SM	28
Chapter 6 Troubleshooting	29
Appendix A Specification	31
A.1 EMC Certification Statements	32
A.2 VCCI Statements (Japan)	34
A.3 MIC Certification (Korea)	34
Appendix B QSFP Interface	36
Appendix C RJ45 I2C Interface	38
Appendix D Replacement Parts Ordering Numbers	39
Appendix E Avertissements de sécurité d'installation (French)	40
Appendix F Installation - Sicherheitshinweise (German)	42

Appendix G Advertencias de seguridad para la instalación (Spanish)	44
Appendix H Special Regulations Regarding Finland, Sweden, Denmark, and Norway	47

List of Figures

Figure 1:	Generic Product label	10
Figure 2:	Switch System Front Panel	15
Figure 3:	Status LEDs	16
Figure 4:	Port Numbering	19
Figure 5:	RJ45 I2C Connector	19
Figure 6:	Rail and Rail Slide	22
Figure 7:	Screw on the Switch Slide	23
Figure 8:	MTUSB-1 with Cables	27
Figure 9:	I2C Cable Connected to IS5023	27
Figure 10:	QSFP Male and Female Connections	37

List of Tables

Table 1:	Revision History Table	7
Table 2:	Reference Documents	8
Table 3:	Switch Status LED Configurations	16
Table 4:	Fan LED Configurations	17
Table 5:	Bad Port LED Configurations	17
Table 6:	Connector Physical and Logical Link Indications	18
Table 7:	IS5023 Specification Data	31
Table 8:	Switch Certification Status	32
Table 9:	InfiniBand QSFP Connector Pinout	36
Table 10:	Replacement Parts Ordering Numbers	39

Revision History

Table 1 - Revision History Table

Date	Revision	Description
May, 2011	1.1	Fixed power numbers
Sept, 2010	1.0	Initial release

About this Manual

This manual describes the installation and basic use of the Mellanox IS5023 switch, which is based on the InfiniScale® IV InfiniBand switch device.

Intended Audience

This manual is intended for users and system administrators responsible for installing and setting up the switch platforms listed above.

The manual assumes familiarity with the InfiniBand® Architecture Specification.

Related Documentation

Additional Documentation available from Mellanox:

Table 2 - Reference Documents

<i>Switch Firmware and Firmware Update Tools</i>	See http://www.mellanox.com > Support > Download Firmware Tools Note that the Switch System described in this manual is based on Mellanox Technologies' InfiniScale® IV switch device.
<i>Mellanox OFED Stack for Linux User's Manual</i>	See http://www.mellanox.com > Support > InfiniBand Software and Drivers Click "Mellanox OpenFabrics Enterprise Distribution for Linux (MLNX_OFED)" Select the Linux User's Manual The embedded OS and tools on the CPU in the management module is a subset of the Mellanox OFED stack.
<i>Mellanox Firmware Tools (MFT) User's Manual Document # 2329</i>	The MFT (Mellanox Firmware Tools) package is a set of firmware tools. The manual supplied with this package provides an overview of the firm-ware its installation and replacement. The MFT can be downloaded with its documentation at: http://www.mellanox.com > Support > Download Firmware Tools

Conventions

Throughout this manual, the name IS5023 and the term switch are used to describe the 18-port QSFP 40Gb/s InfiniBand Switch unless explicitly indicated otherwise.



This symbol indicates information that is helpful to the user.



BEWARE! This symbol indicates a situation that can potentially cause personal injury or damage to hardware or software.

Mellanox Part Numbering Legend

Place	Field	Decoder
M		Mellanox Technologies
IS	System Type	InfiniScale Switch
50	Model	Family
FF	Form factor	23 = 18 Ports
-	Separator	
#	Power supplies	1 = 1 power supply
M	Depth of the Unit	B = short depth
Y	Air Flow direction	R= Connector side to rear side airflow F= Rear side to connector side airflow
R	RoHS	R=RoHS6

1 Overview

This *User Manual* provides an overview of the InfiniBand switch product, an 18-port switch capable of up to 1.44Tb/s of non-blocking switching capacity. Based on the fourth generation InfiniScale InfiniBand switch device. The platform delivers industry leading bandwidth, latency, and scalability in a 1U form factor. The platform can be tiered to build larger multi stage networks in a variety of topologies such as Fat-Tree, Mesh, 3D Torus etc. All port configurations are covered in this manual which include switches for QSFP InfiniBand ports.

Mellanox IS5023 switch systems are an ideal choice for top-of-rack connectivity from small to extremely large sized clusters. Networks built with IS5023 systems can carry converged traffic with the combination of assured bandwidth and granular quality of service. IS5023 systems provide up to 40Gb/s full bidirectional bandwidth per port.

The switch platform comes pre-installed with all necessary firmware and is configured for standard operation within an InfiniBand fabric. This switch requires an InfiniBand compliant Subnet Manager running from one of the hosts or another managed switch. All that is required for normal operation is to follow the usual precautions for installation and to connect the switch to the HCAs or other switches within the fabric. Once connected, the Subnet Management software automatically configures and begins utilizing the switch.

It is recommended that the Mellanox OpenFabrics software package be installed on all nodes connected to the IS5023. The software package provides a subnet manager and network management tools as well as connectivity software for servers and storage, and is available on the Mellanox web site. See Chapter 3 for more information.

Basic installation and hardware maintenance is covered in “Hardware Basic Operation and Installation” on page 15.

1.1 Serial Number and Product Version Information

The Serial number and GUID for the switch are found on the front panel below the I2C interface connection. The serial number and product version information are found on the label seen in the figure below.

Figure 1: Generic Product label



Also on this label is the GUID identifier for the switch.

2 Installation Safety Warnings

Warnings in French can be found on page 40. Warnings in German can be found on page 42. Warnings in Spanish can be found on page 44.

1. Installation Instructions

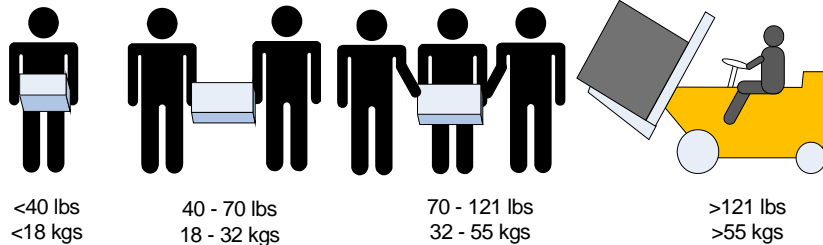


Read all installation instructions before connecting the equipment to the power source.

2. Bodily Injury Due to Weight



Use enough people to safely lift this product.



3. Over-temperature



This equipment should not be operated in an area with an ambient temperature exceeding the maximum recommended: 45°C (113°F). Moreover, to guarantee proper air flow, allow at least 8cm (3 inches) of clearance around the ventilation openings.

4. Stacking the Chassis



The chassis should not be stacked on any other equipment. If the chassis falls, it can cause bodily injury and equipment damage.

5. During Lightning - Electrical Hazard



During periods of lightning activity, do not work on the equipment or connect or disconnect cables.

6. Copper InfiniBand Cable Connecting/Disconnecting



Copper InfiniBand cables are heavy and not flexible, as such they should be carefully attached to or detached from the connectors. Refer to the cable manufacturer for special warnings/instructions.

7. Rack Mounting and Servicing



When this product is mounted or serviced in a rack, special precautions must be taken to ensure that the system remains stable. In general you should fill the rack with equipment starting from the bottom to the top.

8. Equipment Installation



This equipment should be installed, replaced, and/or serviced only by trained and qualified personnel.

9. Equipment Disposal



Disposal of this equipment should be in accordance to all national laws and regulations.

10. Local and National Electrical Codes



This equipment should be installed in compliance with local and national electrical codes.

11. UL Listed and CSA Certified Power Supply Cord



For North American power connection, select a power supply cord that is UL Listed and CSA Certified, 3 - conductor, [16 AWG], terminated with a molded plug rated at 125 V, [13 A], with a minimum length of 1.5m [six feet] but no longer than 4.5m.

For European connection, select a power supply cord that is internationally harmonized and marked “<HAR>”, 3 - conductor, minimum 1.0 mm² wire, rated at 300 V, with a PVC insulated jacket. The cord must have a molded plug rated at 250 V, 10 A.

12. Add GND connection information



Before connecting this device to the power line, the protective earth terminal screws of this device must be connected to the protective earth in the building installation.

(GND Connection Information):

The building installation shall provide a means for connection to protective earth; and the equipment shall to be connected to that means permanently by a service person.

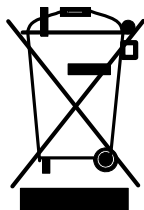
A SERVICE PERSON shall check whether or not the socket - outlet from which the equipment is to be powered provides a connection to the building protective earth. If not, the SERVICE PERSON shall arrange for the installation of a PROTECTIVE EARTHING CONDUCTOR from the separate protective earthing terminal to the protective earth wire in the building. The equipment shall be installed in area where equipotential bonding exists (such as a telecommunication centre or a dedicated computer room)

13. Installation codes



This device must be installed according to the latest version of the country national electrical codes. For North America, equipment must be installed in accordance to the applicable requirements in the US National Electrical Code and the Canadian Electrical Code.

14. WEEE Directive



According to the WEEE Directive 2002/96/EC, all waste electrical and electronic equipment (EEE) should be collected separately and not disposed of with regular household waste.

Dispose of this product and all of its parts in a responsible and environmentally friendly way.

3 Externally Managed Switches

Externally managed (unmanaged) switches are plug and play out of the box. All switches come with the latest firmware (FW) burned on the Flash. Updating the FW on externally managed switches can be performed in-band only. When new FW is available, an email notification is sent to registered users with the link to the Mellanox FW download site. The download site has the Mellanox FW tool package and full instructions for updating FW.

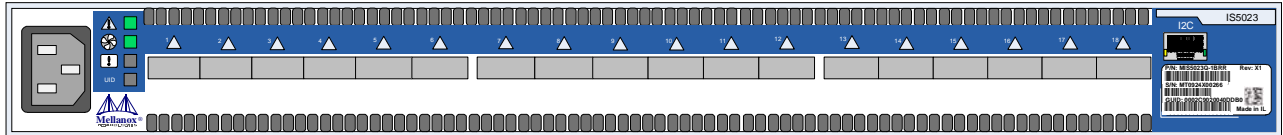
Externally managed switches must be managed by management software installed on a node or on another managed switch that can be anywhere in the fabric. This can be OpenSM, Mellanox FabricIT™ EFM, Mellanox UFM™, or a third party Subnet Manager.

4 Hardware Basic Operation and Installation

4.1 Switch Platform Hardware Overview

Figure 2 shows the front view of the switch. The figure shows port configurations for the switch systems, I2C connector, and various status LEDs. Externally Managed switches come with an I2C RJ45 connector.

Figure 2: Switch System Front Panel



All InfiniBand connectivity is via the connector side panel. All connectors can support active cables.

4.1.1 LED Assignments

4.1.1.1 System Status Indicators

The System Status Indicators are located on the left side of the front (connector side) panel. The system status indicators should display as follows:

When the switch is plugged in, within three seconds:




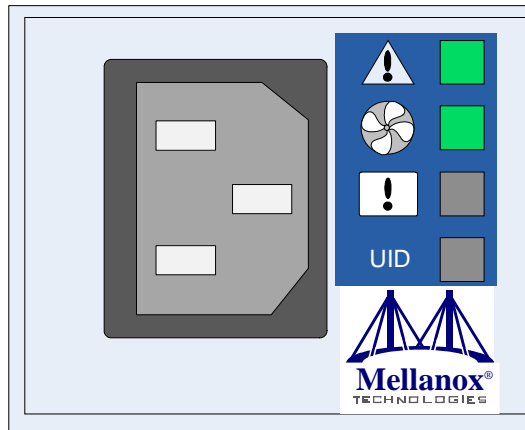
- the Status LED  should light up green.
- The Fan LED  should light up green.
- The Bad Port LED  should be off.
- The Unit ID LED **UID** should be off.

Figure 3: Status LEDs



If the Status LED shows red after 30 seconds unplug the switch and call your Mellanox representative for assistance.



If the Fan LED shows red unplug the switch and call your Mellanox representative for assistance.



If the switch shuts down due to over temperature, unplug the switch, wait 5 minutes and replug in the switch. For more information See “Troubleshooting” on page 29.

4.1.1.2 Status LED 

The Status indicator is located on the left side of the front panel (connector side) of the unit. The following status conditions are possible:

Table 3 - Switch Status LED Configurations

	LED Description
Off	No power to the switch
Solid Green	Switch is running All OK
Red	There is a problem with power output from the power supply, or there is a thermal shut down.

4.1.1.3 Fan Indicators

The Fan indicator is located on the left side of the front panel (connector side) of the unit. The following fan status conditions are possible:

Table 4 - Fan LED Configurations

LED Configuration	FAN LED
Off	There is no power to the fans.
Green	OK – The fans are running.
Red	Error – fans are not operating properly. Replace the switch.



Fans must be operating while the power supply is plugged in.



If the switch shuts down due to over temperature, unplug the switch, wait 5 minutes and replug in the switch. For more information See “Troubleshooting” on page 29.

4.1.1.4 Bad Port LED

The Bad Port indicator is located on the left side of the front panel (connector side) of the unit. The following Bad Port conditions are possible:

Table 5 - Bad Port LED Configurations

LED Configuration	Description
Off	OK – All ports are up and running.
Flashing Orange	Error –One or possibly more ports has just received a symbol error.

This LED shows symbol errors. Possible causes for this are:

- bad cable
- bad connection
- bad connector

This LED lights up when one or more ports is receiving a symbol error. The LED immediately goes off until the next symbol error is received.

4.1.1.5 UID LED Switch Identifier

The UID LED is a debug feature that will become available to customers in the near future. For details please contact Mellanox Technologies support.

4.1.1.6 Port Connector LED

Above the ports is a single LED . The following table shows the port status according to the LED indication.

Table 6 - Connector Physical and Logical Link Indications

	LED Description
Off	No link
Orange	Physical Link up
Solid Green	Logical Link up
Flashing Green	Data activity flashing speed \approx data transfer speed
Flashing Orange	A problem with the Physical Link

This LED when flashing orange shows port physical errors. Possible causes for this are:

- bad cable
- bad connection
- bad connector
- bad cage

4.2 Air Flow

These switches can come with two air flow patterns. The two patterns are

- Rear side inlet to connector side outlet
- Connector side inlet to rear side outlet

The air flow is specified in the product model number. See “Mellanox Part Numbering Legend” on page 9.

4.3 QSFP Cable Power Budget Classification

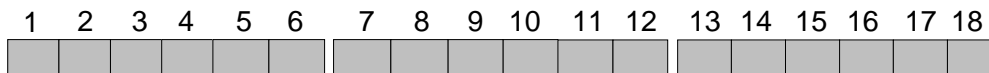
All IS5023 QSFP switches are designed for active cables with a max power per module of 2.0W. This is power level 2 according to the QSFP Public Specification.

4.4 Interfaces

4.4.1 Port Connector Interfaces

The Connector side of the switch has 18 QSFP ports. These are placed in a single row.

Figure 4: Port Numbering



4.5 Management and Firmware Updating Interfaces

The externally managed switch platform does not require any programming or configuration to operate as a basic InfiniBand switch and includes all of the necessary functionality to operate with external standard InfiniBand Subnet Management software such as OFED, FabricIT, UFM etc.

There is one interface to connect to the switch. It is an I2C RJ45 interface labelled “I2C”. Use this connector to update firmware (as a last resort) and for advanced debug.

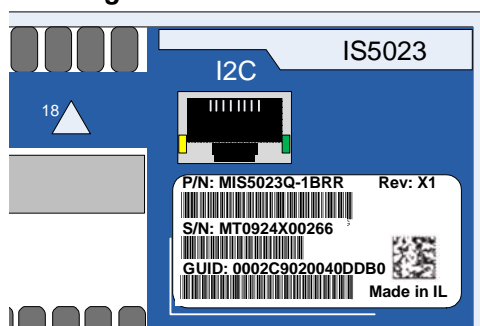


Update FW inband only.

4.5.1 RJ-45 Connector (I2C)

There is an “I2C” interface on the front panel.

Figure 5: RJ45 I2C Connector



All firmware updates should be done in-band using Mellanox Firmware Management Tools.

The I2C connector is available only on externally managed switches and is used to update firmware should in-band firmware update not work. You will need to order an MTUSB-1 USB to I2C adapter to make use of the I2C interface. The I2C connection provides access to Flash and EEPROMs. This is for Advanced users and FAEs only.



The externally managed switches are Plug and Play and all firmware updates should be done in-band. The I2C connection should only be used if the FW image was corrupted to the point that the regular FW tools cannot successfully reburn the correct image.



Warning: Any red status LED is cause for concern and must be dealt with immediately.

It can take up to 30 seconds to boot up, during which time the status LED may indicate red.

5 Installation

5.1 Package Contents

The package includes:

- 1 switch
- 1 installation kit
- 1 box containing 1 power cord Type B 6ft US 125V 10A chord
- 1 installation guide
- 1 parts list

Before you install your new switch, unpack the system and check to make sure that all the parts have been sent, check this against the parts list. Check the parts for visible damage that may have occurred during shipping.



If anything is damaged or missing, contact your customer representative immediately.



The rack mounting holes conform to the IEA-310 standard for 19-inch racks. Guarantee proper ventilation, by leaving 8cm (3") of space to the front and rear of the switch. This will ensure proper air flow through the chassis. This is crucial for maintaining good air-flow at ambient temperature. In particular, route cables such that they do not impede the air into or out of the chassis.

5.2 Installing the Switch in the Rack



This installation kit can only be used to install this switch.

Tools and Parts

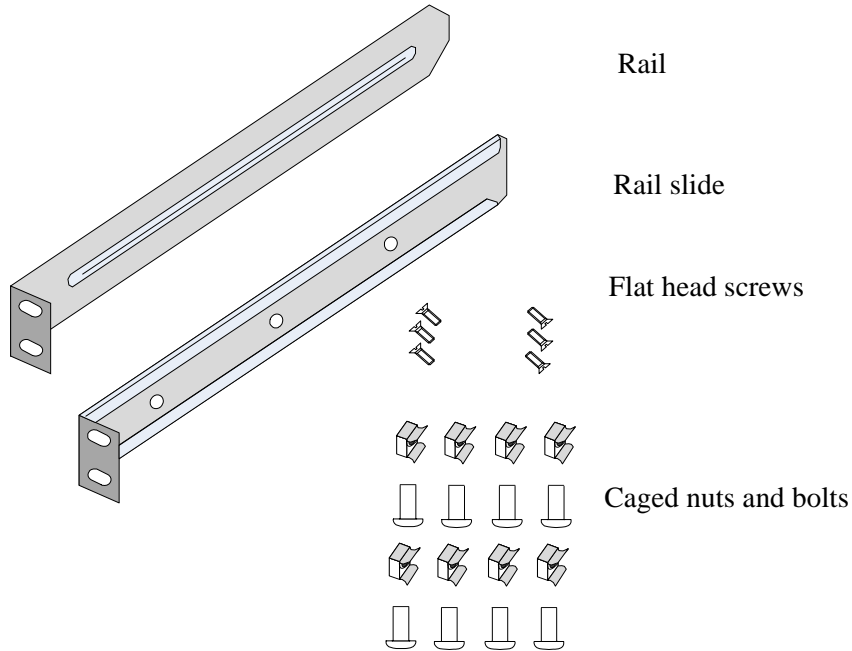
Tools required and customer supplied parts

- Phillips Screwdrivers #1 and #2
- ESD Strap
- ESD mat
- Grounding screw
- Grounding wire sufficient to reach a valid ground

Parts Included in the Installation Kit:

- 2 rails
- 2 rail slides
- 6 recessed flat head screws
- 8 caged nuts with pan head screws

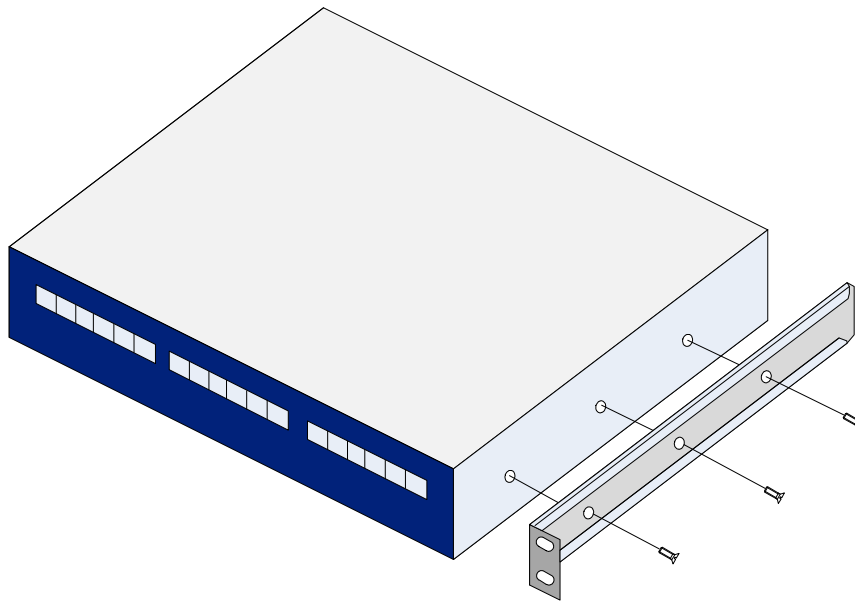
Figure 6: Rail and Rail Slide



The following procedure can be done by one person.

15.

1. Place the ESD mat on the floor where you will be working and put on the ESD strap. Make sure the ESD strap is touching your skin and that the other end is connected to a verified ground.
2. Screw the rail slides to the switch. Make sure that the ears on the slide are on the connector side of the switch. Use three flat head screws for each rail slide.

Figure 7: Screw on the Switch Slide

3. Put 8 caged nuts into the rack at the level you want to install the switch.
4. Screw the rails to the rack.
5. Slide the switch onto the rail slides, and screw the switch to the rack.
6. Tighten all of the screws.
7. Ground the switch.
8. Plug in the power cord.
9. You can start connecting all of the cables to the switch.

5.2.1 Grounding the Switch

Check to determine if your local or national electrical codes require an external ground to all IT components. If so, connect a ground wire to one of the casing screws and connect the other end to a valid ground. If you choose to not use the ground screw, make sure that the rack is properly grounded and that there is a valid ground connection between the chassis of the switch and the rack. Test the ground using an Ohm meter.



Some national and/or local codes may require IT components to be bonded and externally grounded (not including the power cord ground). You must follow all national and local codes when installing this equipment.

5.2.2 Power Connections and Initial Power On

The power cord is included in the installation kit.



Caution: The switch platform will automatically power on when AC power is applied. There is no power switch.



Caution: After inserting a power cable and confirming the green system status LED light is on; make sure that the Fan Status indicator shows green.

If the fan status indicator is not green then unplug the power connection and call your supplier.

5.2.3 InfiniBand Cable Installation

All cables can be inserted or removed with the unit powered on. To insert a cable, press the connector into the port receptacle until the connector is firmly seated. The orange LED indicator corresponding to each QSFP port will light when the physical connection is established (that is, when the unit is powered on and a cable is plugged into the port with the other end of the connector plugged into a functioning port). After plugging in a cable, lock the connector using the latching mechanism particular to the cable vendor. When a logical connection is made the green light will come on. When data is being transferred the light will blink green.

To remove, disengage the locks and slowly pull the connector away from the port receptacle. The LED indicator will turn off when the cable is unseated.

Care should be taken not to impede the air exhaust flow through the ventilation holes next to the InfiniBand ports. Cable lengths should be used which allow for routing horizontally around to the side of the chassis before bending upward or downward in the rack.

5.3 Disassembly of the Switch from the Rack

5.3.1 Disassembly Procedure — Single Switch Centered Installation

To disassemble the switch from the rack:

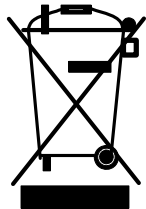
1. Unplug and remove all connectors.
2. Unplug the power cord.
3. Remove the ground wire.
4. Remove the four M6 screws holding the switch to the rack. Support the switch while removing the screws, or the switch may fall out of the rack.
5. Slide the switch out of the rack.



This switch needs to be supported when it is being disassembled.

6. Remove the rails.
7. Remove the caged nuts.

5.4 Disposal



According to the WEEE Directive 2002/96/EC, all waste electrical and electronic equipment (EEE) should be collected separately and not disposed of with regular household waste.

Dispose of this product and all of its parts in a responsible and environmentally friendly way.

For proper disassembly instructions see the Mellanox website.

5.5 Updating Firmware

When you buy the switch, it comes with the latest firmware burned on the board. All firmware updates should be done in-band. Go to the Mellanox Website and confirm that the firmware is the latest. If not return the latest firmware from the download site. New firmware versions will be posted on the Mellanox firmware download page:

<http://www.mellanox.com> => Support > Download Center.

You will need the Mellanox Firmware Tools package to update firmware for this switch. It can also be downloaded from:

<http://www.mellanox.com>. => Support > InfiniBand Software and Drivers.

You will also need to download and unzip the firmware binary image. This is provided in the Mellanox Web site at: <http://www.mellanox.com> => Support > Download Center and go to the InfiniScale IV Switch systems. Click in the Table for the firmware image that you need.

5.5.1 Current Firmware Revision

The user can query for the currently loaded firmware revision by using the command:

```
ibstat
```

(part of mft package). Other tools like flint can also be useful.

5.5.1.1 Instructions for Reprogramming Over the InfiniBand Network

To update an InfiniScale IV switch device having a specific GUID (for example, 0x00000006660abcd0) or LID, the following are the recommended steps to update the device firmware.

1. Make sure all subnet ports are in the active state. One way to check this is to run opensm, the Subnet Manager.


```
[root@mymach]> /etc/init.d/opensmd start
opensm start    [ OK ]
```
2. Make sure the local ports are active by running 'ibv_devinfo'.
3. Obtain the device LID.

1. Use the "mst ib add" command:

The "mst ib add" runs the ibdiagnet/ibdiscover tool to discover the InfiniBand fabric and then lists the discovered IB nodes as an mst device under /dev/mst/ directory. These devices can be used for access by other MFT tools.

```
[root@mymach]> mst ib add
-l- Discovering the fabric - Running: ibdiagnet -skip all
-l- Added 10 in-band devices
```

2. List the discovered mst inband devices run "mst status".

```
[root@mymach]> mst status
MST modules:
-----
MST PCI module loaded
MST PCI configuration module loaded
...
Inband devices:
-----
/dev/mst/CA_MT25418_sw005_HCA-1_lid-0x0001
/dev/mst/SW_MT47396_lid-0x0011
/dev/mst/SW_MT48438_lid-0x0003
```

Identify the switch you want to update according to its description or its LID.

in the examples below we will use SW_MT48438_lid-0x0003 as our target switch.

Query the switch to determine the current FW version:

```
[root@mymach]> flint -d /dev/mst/SW_MT48438_lid-0x0003 q
Image type:    FS2
FW Version:    7.3.0
Device ID:     48438
Chip Revision: A0
Description:   Node          Sys image
GUIDs:        0002c902004177d8 0002c902004177db
Board ID:     n/a (MT_OD00110012)
VSD:         n/a
PSID:        MT_OD00110012
```

Burn the InfiniScale IV switch:

```
flint -d /dev/mst/SW_MT48438_lid-0x0003 -i ./fw-IS4-rel-7_4_0-Q_A1.bin -qq b
```

5.5.1.2 Reprogramming the Switch Through The I2C Port

This interface is for Debug and Troubleshooting only. This interface is for FAEs and advanced users only.



The I2C connector should only be used when the firmware cannot be updated in-band.

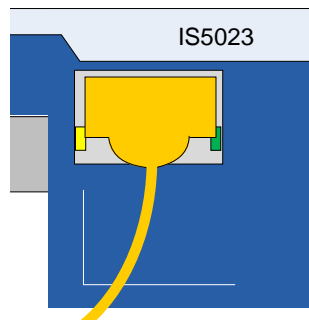
Use the MTUSB-1 adapter (available from Mellanox) to reprogram the switch firmware using a server or PC running MFT.

Figure 8: MTUSB-1 with Cables



The MTUSB adapter comes with three cables, but has only two connections for cables. One cable is an I2C cable with DB9 female connectors on both ends. One cable is a I2C cable with DB9 female connector to RJ45 male. Use the cable that matches your switch. The other is a USB cable with one type A host connection to be connected to the server or PC and a type B connection to be connected to the MTUSB adapter.

Figure 9: I2C Cable Connected to IS5023



With the switch connected to a computer through the MTUSB, it is now possible to reprogram the SPI Flash memory.

5.5.1.3 Instructions for Reprogramming Through the I2C Port

1. Make sure that:
 - the MTUSB I2C cable is connected to the switch and USB cable is connected to a computer
 - MFT is running on the computer
 - "mtusb-1" mst device appears in "mst status"
2. Set the switch I2C switch to allow access by running:

```
> mlxI2c -d /dev/mst/mtusb-1 -s IS5023 p /IS4
```
3. Run the burn command:

```
flint -d /dev/mst/mtusb-1 -i ./fw-IS4-rel-7_4_0-Q_A1.bin -qq b
```
4. Power cycle the switch, by unplugging and re-plugging the power cord, to load the new firmware.

5.5.2 How to Get Mellanox Firmware Tools (MFT)

Mellanox Firmware Tools (MFT) and documentation are available for download via <http://www.mellanox.com> > Support > Download Firmware Tools.

The MFT kit includes:

- mlxburn
- flint
- spark
- IBspark
- debug utilities

See “Related Documentation” on page 8.

5.5.3 Open SM

To manage the Mellanox switch system using OFED, download Mellanox Open Fabrics from <http://www.mellanox.com> > Support > InfiniBand Software and Drivers.

Be sure to read and follow all of the instructions regarding the installation and use of these tools.

6 Troubleshooting

As soon as a switch is plugged in, continuously monitor the status light. Make sure that it turns green within 30 seconds of booting up.

Status LED and Fan LED

If the Fan LED is red make sure that the ambient temperature is within the range specified in the Specification section of the Appendix.

If any of the LEDs are **red** after 30 seconds, unplug the switch and call your Mellanox representative.

Power supply unit:

1. Check that the power cable has a voltage within the range of 100 - 240 volts AC.

If the status LED is red.

2. Remove and reinstall the power cable.

The green power LED for the fans does not come on:



Caution: Do not run the switch if the System Status LED for the Fans is red or off!

The connector LED for the InfiniBand connector does not come on:

1. Check that both ends of the cable are connected.
2. Check that the locks on the ends are secured.
3. Make sure that the latest FW version is installed on both the HCA cards and the switch.
4. If media adapters are used, check that the all connections are good, tight, and secure.

The connector LED is flashing orange:

1. Check that the Subnet Manager has been started.
2. Check the cable is connected properly at both ends.
3. Check the the cable is good.
4. Check that the connections are good(no cable weight on the connector, no twists in the cable at the connector...).
5. Check the port connectors at both ends.

The switch is off:

1. Unplug the switch.
2. Wait 5 minutes.
3. Plug in the switch.

4. If the switch does not come on, check the power supply.
5. If the switch comes on, Use the management software to determine the cause of the shut-down.
6. Check the temperature of the switch.
7. Check the ambient air temperature to make sure it is not too high.
8. Check the Fan status.

The switch is not working and unresponsive:

1. Unplug the switch.
2. Wait 5 minutes.
3. Plug in the switch.
4. If the switch does not come on, check the power supplies.
5. If the switch comes on, use the management software to determine the cause of the shut-down.

Appendix A: Specification

Table 7 - IS5023 Specification Data

Physical		Power and Environmental	
Size:	1.73" (1U) H x 17.3" W x 16.14" D 44mm X 440mm X 410mm	Input Voltage:	100-240 VAC 50-60Hz
Weight:	13 lb. / 5.9kg	Power Consumption Typ:	36 port QDR
Mounting:	19" Rack mount	Passive Cables	65.91 W
SerDes Speeds	10, 20, 40 Gb/s per port	Active Cables	110.36 W
Connectors and Cabling:	QSFP Cable	Power Consumption Max:	36 port QDR
Port Types:	QSFP	Passive Cables	73.85W
		Active Cables	118.30W
		QSFP Max Power per port for active cables:	2.0W
		Temperature:	0 to 45 Celsius
		Humidity:	10% - 90% non-condensing
Protocol Support		Regulatory Compliance	
InfiniBand:	Auto-Negotiation of (40Gb/s, 20Gb/s, 10Gb/s)	Safety:	US/Canada: cTUVus EU: IEC60950 International: CB
QoS:	8 InfiniBand Virtual Lanes for all ports	EMC (Emissions):	USA: FCC, Class A Canada: ICES, Class A EU: EN55022, Class A EU: EN55024, Class A EU: EN61000-3-2, Class A EU: EN61000-3-3, Class A Japan: VCCI, Class A
Management:	Baseboard, Performance, and Device management Agents for full InfiniBand In-Band Management	Environmental:	EU: IEC 60068-2-64: Random Vibration EU: IEC 60068-2-29: Shocks, Type I / II EU: IEC 60068-2-32: Fall Test RoHS R-6
		Acoustic:	ISO 7779 ETS 300 753
		Sound power level:	70.5 dB(A) or 7.1 Bel
Scalability and Performance		Reliability, Availability and Serviceability Features	

Table 7 - IS5023 Specification Data

Physical		Power and Environmental	
Switching Performance:	Simultaneous wire-speed any port to any port		
Addressing:	48K Unicast Addresses Max. per Subnet		
Switching Capacity	16K Multicast Addresses per Subnet		
	720Gb/s		

A.1 EMC Certification Statements

Table 8 lists the approved certification status per switch in different regions of the world.

Table 8 - Switch Certification Status

Switch P/N	FCC Class (USA)	EN Class (Europe)	ICES Class (Canada)	VCCI (Japan)	cTUVus	CB
IS5023Q-1BFR	YES	YES	YES	YES	✓	✓
IS5022Q-1BFR	YES	YES	YES	YES	✓	✓
IS5022Q-1BRR	YES	YES	YES	YES	✓	✓
IS5022Q-1BFC	YES	YES	YES	YES	✓	✓
IS5022Q-1BRC	YES	YES	YES	YES	✓	✓

A.1.1 FCC Statements (USA)

Class A Statements:

§ 15.19(a)(4)

This device complies with Part 15 of the FCC Rules.

Operation is subject to the following two conditions:

1. This device may not cause harmful interference, and
2. This device must accept any interference received, including interference that may cause undesired operation.

§ 15.21

Statement

Warning! Changes or modifications to this equipment not expressly approved by the party responsible for compliance (Mellanox Technologies) could void the user's authority to operate the equipment.

§15.105(a)

Statement

NOTE: This equipment has been tested and found to comply with the limits for a Class A digital device, pursuant to Part 15 of the FCC Rules. These limits are designed to provide reasonable protection against harmful interference when the equipment is operated in a commercial environment. This equipment generates, uses, and can radiate radio frequency energy and, if not installed and used in accordance with the instruction manual, may cause harmful interference to radio communications. Operation of this equipment in a residential area is likely to cause harmful interference in which case the user will be required to correct the interference at his own expense.

Statement

§ 15.21

Statement

Warning! Changes or modifications to this equipment not expressly approved by the party responsible for compliance (Mellanox Technologies) could void the user's authority to operate the equipment.

§15.105

Statement

NOTE: This equipment has been tested and found to comply with the limits for a Class B digital device, pursuant to part 15 of the FCC Rules. These limits are designed to provide reasonable protection against harmful interference in a residential installation. This equipment generates, uses and can radiate radio frequency energy and, if not installed and used in accordance with the instructions, may cause harmful interference to radio communications. However, there is no guarantee that interference will not occur in a particular installation. If this equipment does cause harmful interference to radio or television reception, which can be determined by turning the equipment off and on, the user is encouraged to try to correct the interference by one or more of the following measures:

- Reorient or relocate the receiving antenna.
- Increase the separation between the equipment and receiver.
- Connect the equipment into an outlet on a circuit different from that to which the receiver is connected.

Consult the dealer or an experienced radio/TV technician for help.

A.1.2 EN Statements (Europe)

EN55022 Class A Statement:

Warning

This is a class A product. In a domestic environment this product may cause radio interference in which case the user may be

A.1.3 ICES Statements (Canada)

Class A Statement

"This Class A digital apparatus complies with Canadian ICES-003.
Cet appareil numérique de la classe A est conforme à la norme NMB-003 du Canada."

Class B Statement

A.2 VCCI Statements (Japan)

Class A Statement:

この装置は、情報処理装置等電波障害自主規制協議会（VCCI）の基準に基づくクラスA情報技術装置です。この装置を家庭環境で使用すると電波妨害を引き起こすことがあります。この場合には使用者が適切な対策を講ずるよう要求されることがあります。

(Translation - "This is a Class A product based on the standard of the Voluntary Control Council for Interference by Information Technology Equipment (VCCI). If this equipment is used in a domestic environment, radio interference may occur, in which case the user may be required to take corrective actions.")

A.3 MIC Certification (Korea)

Korea's "Regulation for Certification of Information and Communication Equipment," requires EMC testing and certification for many electronic products. Korean EMC certifications are issued by Radio Research Laboratory (RRL), which is organized under the Ministry of Information and Communications (MIC). EMC testing includes electromagnetic emissions (EMI) and susceptibility (EMS). Certified equipment is labeled with the MIC mark and certification number.

이 기기는 업무용으로 전자파적합등록을 한 기기이오니 판매자 또는 사용자는 이 점을 주의하시기 바라며 만약 잘못 판매 또는 구입하였을 때에는 가정용으로 교환하시기 바랍니다.

Translation:

Class A Device This device is registered for EMC requirements for industrial use. The seller or buyer should be aware of this. If this type was sold or purchased by mistake, it should be replaced with a residential-use type.

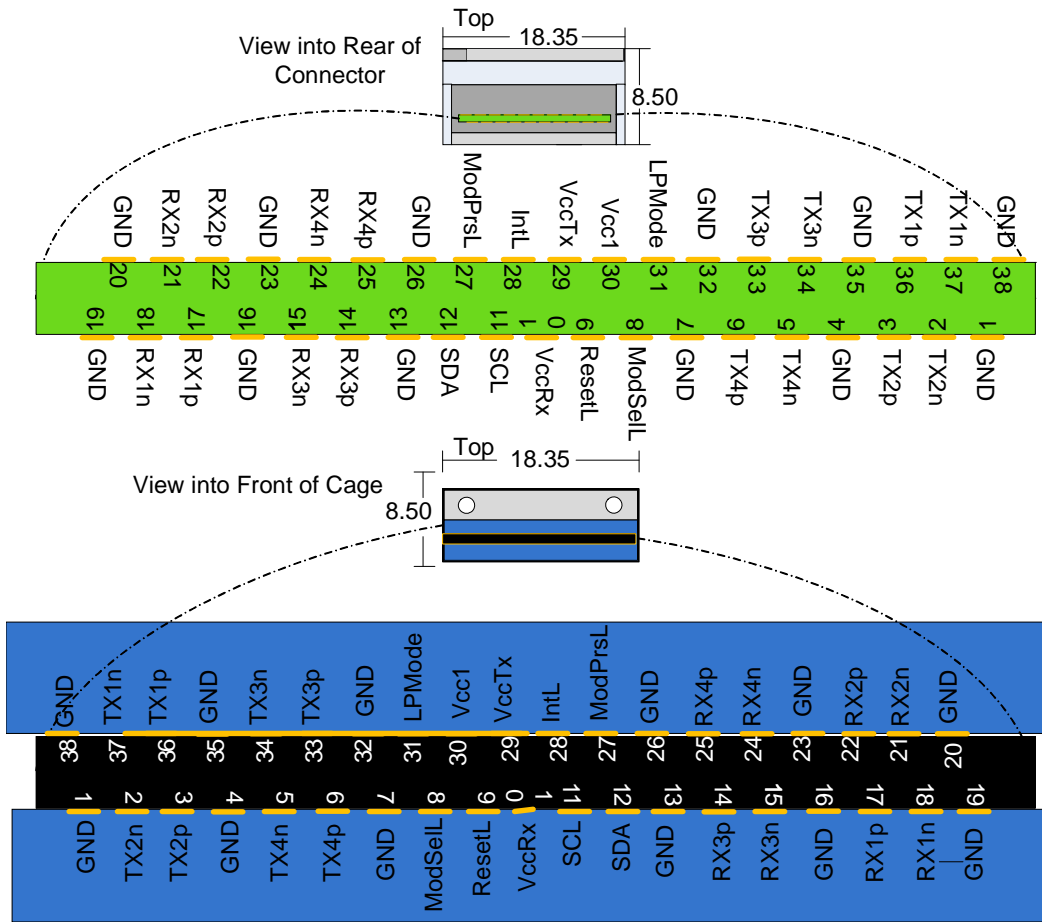
Appendix B: QSFP Interface

20	GND	GND	19
21	Rx2n	Rx1n	18
22	Rx2p	Rx1p	17
23	GND	GND	16
24	Rx4n	Rx3n	15
25	Rx4p	Rx3p	14
26	GND	GND	13
27	ModPrsL	SDA	12
28	IntL	SCL	11
29	VccTx	Vcc Rx	10
30	Vcc1	ResetL	9
31	LPMODE	ModSelL	8
32	GND	GND	7
33	Tx3p	Tx4p	6
34	Tx3n	Tx4n	5
35	GND	GND	4
36	Tx1p	Tx2p	3
37	Tx1n	Tx2n	2
38	GND	GND	1

Table 9 - InfiniBand QSFP Connector Pinout

Connector Pin Number	Connector Pin Name	Signal Description
1	GND	Ground
2	Tx2n	Transmitter Inverted Data Input
3	Tx2p	Transmitter Non-Inverted Data Input
4	GND	Ground
5	Tx4n	Transmitter Inverted Data Input
6	Tx4p	Transmitter Non-Inverted Data Input
7	GND	Ground
8	ModSelL	Module Select
9	ResetL	Module Reset
10	Vcc Rx	+3.3 V Power supply receiver
11	SCL	2-wire serial interface clock
12	SDA	2-wire serial interface data
13	GND	Ground
14	Rx3p	Receiver Non-Inverted Data Output
15	Rx3n	Receiver Inverted Data Output
16	GND	Ground
17	Rx1p	Receiver Non-Inverted Data Output
18	Rx1n	Receiver Inverted Data Output
19	GND	Ground
20	GND	Ground
21	Rx2n	Receiver Inverted Data Output 3
22	Rx2p	Receiver Non-Inverted Data Output 3
23	GND	Ground
24	Rx4n	Receiver Inverted Data Output 3
25	Rx4p	Receiver Non-Inverted Data Output 3
26	GND	Ground
27	ModPrsL	Module Present
28	IntL	Interrupt
29	Vcc Tx	+3.3 V Power supply transmitter
30	Vcc 1	+3.3 V Power Supply
31	LPMODE	Low Power Mode
32	GND	Ground
33	Tx3p	Transmitter Non-Inverted Data Input
34	Tx3n	Transmitter Inverted Data Input
35	GND	Ground
36	Tx1p	Transmitter Non-Inverted Data Input
37	Tx1n	Transmitter Inverted Data Input
38	GND	Ground

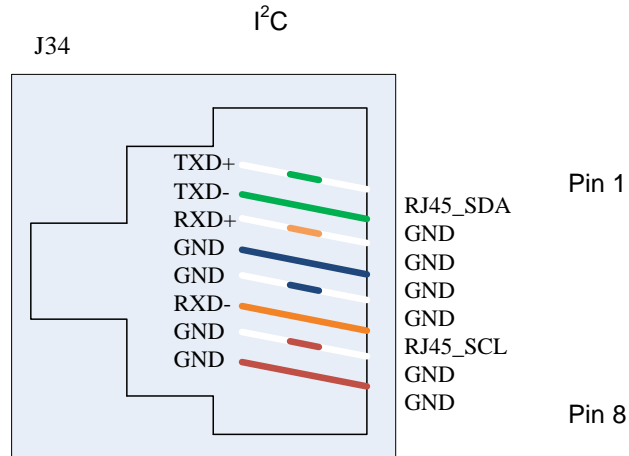
Figure 10: QSFP Male and Female Connections



Appendix C: RJ45 I2C Interface

The RJ45 I2C interface uses the EIA 568A standard wiring color coding.

Looking into the Socket



Looking into the Socket

Appendix D: Replacement Parts Ordering Numbers

Table 10 - Replacement Parts Ordering Numbers

Part Description	OPN
RS232 Cable DB9 to DB9 Harness	HAR000040
RS232 Cable RJ45 to DB9 Harness	HAR000028
I2C DB9 or RJ45 to USB Adapter	MTUSB-1
Power cord Type C13-C14 250V 10A 1.5M	ACC000251
Power cord Type C13-C14 250V 15A 2M RIGHT ANGLE	ACC000242
Power cord Type B for USA, Canada, Mexico, Taiwan Type B 6ft US 125V 10A chord	ACC000204
Power cord Type B for USA, Canada, Mexico, Taiwan 125V15A 4M USA UL (Type B) RIGHT ANGLE	ACC000241
Power cord Type H for Israel	ACC000205
Power cord Type E/F for Sweden, France, Germany, Netherlands, Russia	ACC000207
Power cord Type G for UK	ACC000208
Power cord Type D for India	ACC000209
Power cord Type I for China	ACC000210
Power cord Type J for Switzerland	ACC000211
Power cord Type B for Japan,	ACC000212
Power cord Type I for Australia	ACC000213

Appendix E: Avertissements de sécurité d'installation (French)

1. Instructions d'installation



Lisez toutes les instructions d'installation avant de brancher le matériel à la source d'alimentation électrique.

2. Température excessive



Ce matériel ne doit pas fonctionner dans une zone avec une température ambiante dépassant le maximum recommandé de 45°C (113°F). Un flux d'air de 200LFM à cette température ambiante maximale est nécessaire. En outre, pour garantir un bon écoulement de l'air, laissez au moins 8 cm (3 pouces) d'espace libre autour des ouvertures de ventilation.

3. Empilage du châssis



Le châssis ne doit pas être empilé sur un autre matériel. Si le châssis tombe, il peut provoquer des blessures corporelles et des dégradations de biens.

4. Orages – dangers électriques



Pendant un orage, il ne faut pas utiliser le matériel et il ne faut pas brancher ou débrancher les câbles.

5. Branchement/débranchement des câbles InfiniBand en cuivre



Les câbles InfiniBand en cuivre sont lourds et ne sont pas flexibles, il faut donc faire très attention en les branchant et en les débranchant des connecteurs. Consultez le fabricant des câbles pour connaître les mises en garde et les instructions spéciales.

6. Montage et entretien sur baie



Lorsque ce produit est monté ou entretenu sur baie, il faut prendre des précautions spéciales pour s'assurer que le système reste stable. En général, il faut remplir la baie avec du matériel de bas en haut.

7. Installation du matériel



Ce matériel ne doit être installé, remplacé ou entretenu que par du personnel formé et qualifié.

8. Elimination du matériel



L'élimination de ce matériel doit s'effectuer dans le respect de toutes les législations et réglementations nationales en vigueur.

9. Codes électriques locaux et nationaux



Ce matériel doit être installé dans le respect des codes électriques locaux et nationaux.

10. Cordons électriques CA homologués UL



Pour les prises électriques en Amérique du Nord, choisissez un cordon électrique homologué UL et certifié CSA

à 3 conducteurs, [18 AWG], terminé par une fiche moulée, d'une tension nominale de 125 V, [15 A], avec une longueur minimale de 1,5 m [6 pieds] et d'une longueur maximale de 4,5 m [18 pieds]

Pour les prises électriques en Europe, choisissez un cordon électrique harmonisé internationalement et marqué "<HAR>",

à 3 conducteurs, d'un diamètre de fil minimum de 0,75 mm², d'une tension nominale de 300 V, avec une gaine isolée en PVC. Le cordon doit avoir une fiche moulée d'une tension nominale de 250 V et d'une intensité nominale de 10 A.

Appendix F: Installation - Sicherheitshinweise (German)

1. Installationsanleitungen



Lesen Sie alle Installationsanleitungen, bevor Sie das Gerät an die Stromversorgung anschließen.

2. Übertemperatur



Dieses Gerät sollte nicht in einem Bereich mit einer Umgebungstemperatur über der maximal empfohlenen Temperatur von 45°C (113°F) betrieben werden. Es ist ein Luftstrom von 200 LFM bei maximaler Umgebungstemperatur erforderlich. Außerdem sollten mindestens 8 cm (3 in.) Freiraum um die Belüftungsöffnungen sein, um einen einwandfreien Luftstrom zu gewährleisten.

3. Stapeln des Chassis



Das Chassis sollte nicht auf andere Geräte gestapelt werden. Wenn das Chassis herunterfällt, kann es zu Verletzungen und Beschädigungen an Geräten führen.

4. Bei Gewitter - Elektrische Gefahr



Arbeiten Sie während eines Gewitters und Blitzschlag nicht am Gerät, schließen Sie keine Kabel an oder ab.

5. Anschließen/Trennen von InfiniBand-Kupferkabel



InfiniBand-Kupferkabel sind schwer und nicht flexible. Deshalb müssen sie vorsichtig an die Anschlüsse angebracht bzw. davon getrennt werden. Lesen Sie die speziellen Warnungen und Anleitungen des Kabelherstellers.

6. Rack-Montage und Wartung



Wenn dieses Produkt in einem Rack montiert oder gewartet wird, sind besondere Vorsichtsmaßnahmen zu ergreifen, um die Stabilität des Systems zu gewährleisten. Im Allgemeinen sollten Sie das Gestell von unten nach oben mit Geräten füllen.

7. Geräteinstallation



Diese Gerät sollte nur von geschultem und qualifiziertem Personal installiert, ausgetauscht oder gewartet werden.

8. Geräteentsorgung



Die Entsorgung dieses Geräts sollte unter Beachtung aller nationalen Gesetze Bestimmungen erfolgen.

9. Regionale und nationale elektrische Bestimmungen



Dieses Gerät sollte unter Beachtung der regionalen und nationalen elektrischen Bestimmungen installiert werden.

Appendix G: Advertencias de seguridad para la instalación (Spanish)

1. Instrucciones de instalación



Antes de conectar el equipo a la fuente de alimentación, leer todas las instrucciones de instalación.

2. Sobrecalentamiento



No se debe utilizar el equipo en un área con una temperatura ambiente superior a la máxima recomendada: 45°C. Además, para garantizar una circulación de aire adecuada, se debe dejar como mínimo un espacio de 8 cm (3 pulgadas) alrededor de las aberturas de ventilación.

3. Apilamiento del chasis



Los chasis no se deben apilar sobre otros equipos. La caída del chasis podría causar lesiones corporales, así como daños al equipo.

4. Cuando hay rayos: peligro de descarga eléctrica



No utilizar el equipo ni conectar o desconectar cables durante períodos de actividad de rayos.

5. Conexión y desconexión del cable Copper InfiniBand



Dado que los cables de cobre InfiniBand son pesados y no son flexibles, su conexión a los conectores y su desconexión se deben efectuar con mucho cuidado. Para ver advertencias o instrucciones especiales, consultar al fabricante del cable.

6. Montaje y mantenimiento de bastidores



Al instalar o realizar el mantenimiento de este aparato en un bastidor, es preciso adoptar precauciones especiales para garantizar que el sistema se mantenga estable. En general, en un bastidor, los equipos se deben instalar comenzando desde abajo hacia arriba.

7. Instalación de equipos



La instalación, el reemplazo y el mantenimiento de este equipo estarán a cargo únicamente de personal capacitado y competente.

8. Asegurar confinamientos adecuados



El fabricante del producto final o el usuario final deberán suministrar un confinamiento adecuado para componentes eléctricos y mecánicos y contra incendio.

9. Eliminación de equipos



La eliminación definitiva de este equipo se debe efectuar conforme a todas las leyes y reglamentaciones nacionales.

10. Códigos eléctricos locales y nacionales



Este equipo se debe instalar conforme a los códigos eléctricos locales y nacionales.

11. Cable de alimentación homologado por UL y con certificación CSA



En conexiones de América del Norte, seleccionar un cable de alimentación homologado por UL y con certificación CSA de tres conductores, [16 AWG], terminado en un enchufe moldeado con capuchón de 125 voltios nominal, [13 A], con una longitud mínima de 1,5 metros, pero no más de 4,5 metros.

En conexiones europeas, seleccionar un cable de alimentación armonizado internacionalmente y marcado "<HAR>", de tres conductores, hilo de 1,0 mm² como mínimo, 300 voltios nominal, con cobertura protectora aislante de PVC. El cable debe tener un enchufe moldeado con capuchón de 250 voltios nominal, 10 A.

12. Añadir conexión a tierra



Antes de conectar el dispositivo a la línea de alimentación, los tornillos del terminal de la puesta a tierra de protección del dispositivo se deben conectar a la puesta a tierra de protección de la instalación del edificio.

(Información de conexión a tierra):

La instalación del edificio deberá proveer un medio para la conexión con la puesta a tierra de protección y un técnico de servicio deberá conectar permanentemente el equipo a dicho medio de conexión.

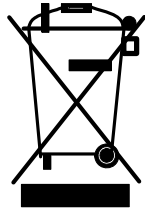
Un TÉCNICO DE SERVICIO comprobará si la toma eléctrica de la que se suministrará corriente al equipo provee una conexión con la puesta a tierra de protección del edificio. De no ser así, el TÉCNICO DE SERVICIO se encargará de instalar un CONDUCTOR DE CONEXIÓN A TIERRA DE PROTECCIÓN, del terminal de puesta a tierra de protección separado al conductor de tierra de protección del edificio. El equipo se instalará en un área donde haya conexión equipotencial, como por ejemplo, un centro de telecomunicaciones o una sala de computadoras dedicada.

13. Códigos de instalación



Este dispositivo se debe instalar conforme a la versión más reciente de los códigos eléctricos nacionales del país en cuestión. En América del Norte, el equipo se debe instalar de acuerdo con las disposiciones vigentes del Código Eléctrico Nacional de los EE.UU. y del Código Eléctrico de Canadá.

14. Directiva sobre RAEE



Conforme a la Directiva 2002/96/CE sobre RAEE, todos los residuos de equipos eléctricos y electrónicos (EEE) se deben recolectar por separado y no se deben eliminar junto con residuos domésticos.

Al deshacerse de este producto y de todas sus partes, hágalo de una manera responsable y respetuosa con el medio ambiente.

Appendix H: Special Regulations Regarding Finland, Sweden, Denmark, and Norway

Denmark- This unit is class I and must be connected with an AC cord compliant with all national electrical codes in Denmark. The AC cord shall have an integral ground wire, and can only be plugged into a fully grounded outlet.



Do not connect this unit to any outlet that is not fully grounded!

- **Finland -**



“Laite on liitettävä suojamaadoituskoskettimilla varustettuun pistoraasiaan”

- **Norway -**



“Apparatet må tilkoples jordet stikkontakt”

Unit is intended for connection to IT power systems for Norway only.

- **Sweden -**



“Apparaten skall anslutas till jordat uttag.”